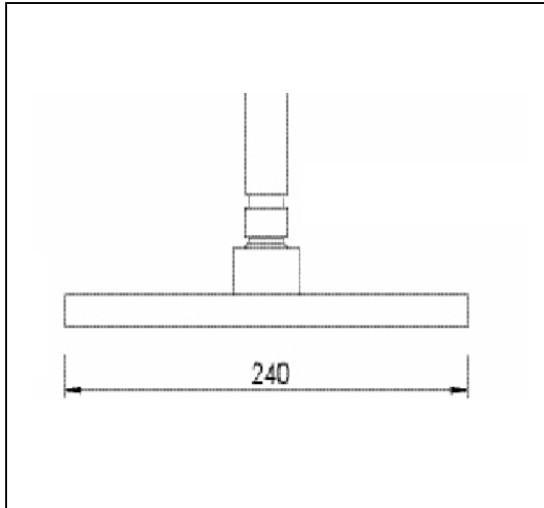


Xera



Rain Head



Code: XE SR HEAD ONLY
 Finish: Chrome
 Inlet: 1/2" BSP thread Female

Arm Options:

Ceiling:	ARM CM SQ (square)	Length:	200mm
	ARM CM RD (round)	Length:	220mm
	ARM CM SQXXL (square)*	Length:	400mm
Wall:	ARM CM SQ (square)	Length:	350mm
	ARM CM RD (round)	Length:	350mm

Installation hole diameter (all arms): Min: 21mm Max: 30mm

WELS:	Mains Flow	Zero rated N/A
	Low/Unequal Max flow @ 35kPa	Zero rated N/A

*While stocks last



Aquatica Warranty

Aquatica NZ Limited offer, from the date of purchase, a 2 year warranty on handshowers, a 5 year warranty on tapware and accessories and a lifetime warranty on stainless steel sinks.

Aquatica NZ Limited warrants that only high quality workmanship and materials have been employed in the manufacture of its tapware, accessories and stainless steel products. If any faulty workmanship or materials are proven during the warranty period, Aquatica NZ Limited will at its own cost repair, or at its option, replace the faulty product.

The guarantee is non-transferable and proof of purchase is required.

The use of spray or abrasive cleaners of any kind will void the warranty. (Tapware should only be cleaned with a mild detergent and a soft damp cloth).

Failure to use an in-line strainer or filter on lines to tapware incorporating a ceramic cartridge or ceramic disc mechanism may also void the warranty.

Every effort has been made to show the products as they will be sold, however, all models and specifications are subject to change without notice.

Aquatica NZ Limited
 9 Saunders Place
 P O Box 19146
 Avondale, Auckland
 Tel: 09 828 2068
 Fax: 09 828 2069
 Email: info@aquatica.co.nz
 or visit our website
www.aquatica.co.nz