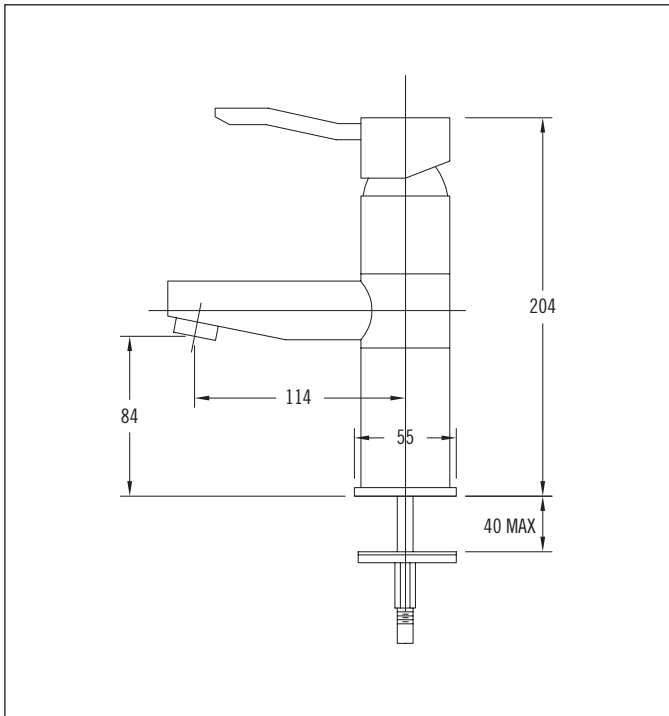


Note: Xera 1 product is supplied with a straight handle and Xera 2 is supplied with a kinked handle. All other specifications are identical.

Basin Mixer



Code: X1 BASM CP

- Use X1 (straight) or X2 (kinked) in code depending on the handle

Finish: Chrome

Spout: Swivel 360°

Aerator & water director supplied

Stainless Steel Inlet Hoses:

Hot: I/D: 9.5mm Size: M16 x 1/2" BSP
Length: 420mm

Cold: I/D: 6.5mm Size: M12 x 1/2" BSP
Length: 420mm

Metal Base Ring supplied with O-ring seal

Mounting Hardware: Studs: 1 x 8mm
Nut: 11mm A/F
Horseshoe Washer

Installation Hole Diameter: Minimum: 34mm
Maximum: 42mm
Recommended: 34mm

Cartridge: Mondo 40K Flat base

Handy Tip: For unequal pressure systems adjust the isolator filter stops supplied

Suitable for equal and unequal pressure systems

Recommended Pressure

Operational Range:

Minimum: 35 kPa

Recommended: 600 kPa

Never to Exceed: 1000 kPa

Maximum Operating

Temperature: 70°C

Aquatica Warranty

Aquatica NZ Limited offer, from the date of purchase, a 2 year warranty on handshowers, a 5 year warranty on tapware and accessories and a lifetime warranty on stainless steel sinks.

Aquatica NZ Limited warrants that only high quality workmanship and materials have been employed in the manufacture of its tapware, accessories and stainless steel products. If any faulty workmanship or materials is proven during the warranty period, Aquatica NZ Limited will at its own cost repair, or at its option replace, the faulty product. The guarantee is non-transferable and proof of purchase is required.

The use of spray or abrasive cleaners of any kind will void the warranty. (Tapware should only be cleaned with a mild detergent and a soft damp cloth).

Failure to use an in-line strainer or filter on lines to tapware incorporating a ceramic cartridge or ceramic disc mechanism will also void the warranty. In the Bay of Plenty (or any area with a high mineral content) failure to install a 1 micro carbon block cartridge may void the warranty.

Every effort has been made to show the products as they will be sold, however, all models and specifications are subject to change without notice.