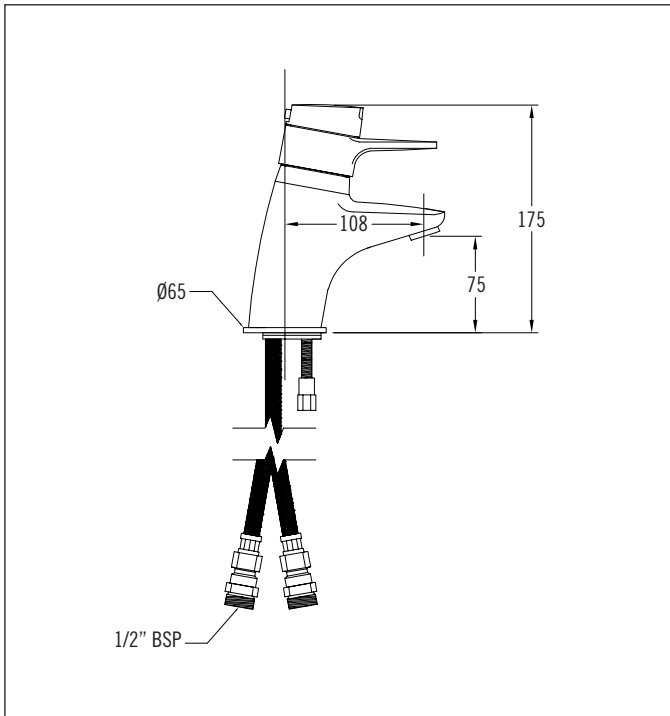


Basin Mixer with Pop-up Waste



Code: TH BASM CP
 Finish: Chrome
 Spout: Fixed

Aerator supplied

Stainless Steel Inlet Hoses:

Hot: I/D: 5.5mm Size: M10 x 3/8" BSP
 Length: 320mm

Cold: I/D: 5.5mm Size: M10 x 3/8" BSP
 Length: 320mm
 (3/8" to 1/2" adaptors supplied)

Metal Base Ring supplied with O-ring seal

Mounting Hardware: Stud: 8mm
 Nut: 11mm A/F
 Horseshoe Washer

Installation Hole Diameter: Minimum: 30mm
 Maximum: 40mm
 Recommended: 34mm

Temperature set by top knob

Flow control by handle

Fully clockwise = off, 1st detent = cold at 50% flow, 2nd detent = selected temperature at 50% flow, fully anticlockwise = selected temperature at 100% flow.

Cartridge: TH CART (Thermoset single lever)

Handy Tip: Ensure hot and cold are connected correctly otherwise mixer will not function

Equal pressure systems only

Recommended Pressure

Operational Range:

Minimum: 150 kPa

Recommended: 600 kPa

Never to Exceed: 1000 kPa

Maximum Operating

Temperature: 70°C

Aquatica Warranty

Aquatica NZ Limited offer, from the date of purchase, a 2 year warranty on handshowers, a 5 year warranty on tapware and accessories and a lifetime warranty on stainless steel sinks.

Aquatica NZ Limited warrants that only high quality workmanship and materials have been employed in the manufacture of its tapware, accessories and stainless steel products. If any faulty workmanship or materials is proven during the warranty period, Aquatica NZ Limited will at its own cost repair, or at its option replace, the faulty product. The guarantee is non-transferable and proof of purchase is required.

The use of spray or abrasive cleaners of any kind will void the warranty. (Tapware should only be cleaned with a mild detergent and a soft damp cloth).

Failure to use an in-line strainer or filter on lines to tapware incorporating a ceramic cartridge or ceramic disc mechanism will also void the warranty. In the Bay of Plenty (or any area with a high mineral content) failure to install a 1 micro carbon block cartridge may void the warranty.

Every effort has been made to show the products as they will be sold, however, all models and specifications are subject to change without notice.