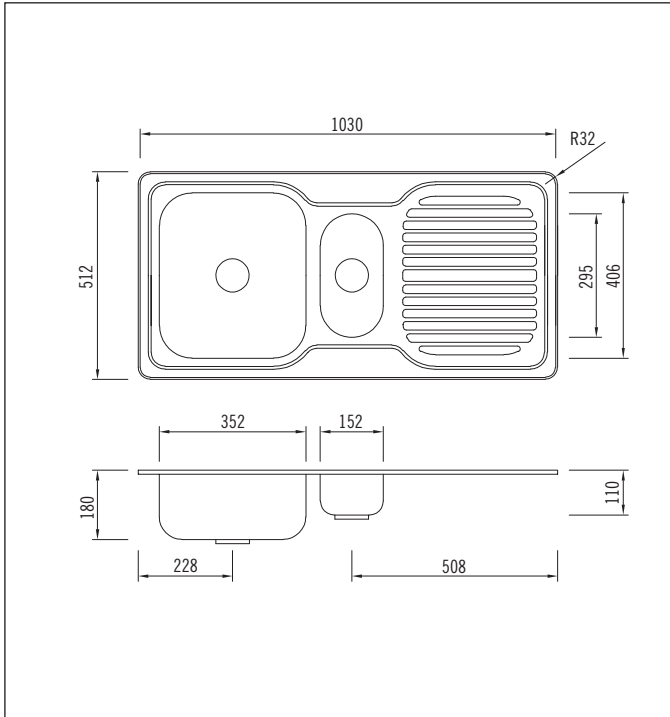


Stainless Steel Sinks

All sinks are punched with a 92mm hole and depressed to fit 112mm or 114mm basket wastes.
Overflow requires 25mm to clear cabinetry.

Titan Sink Wide - 1½ bowl + drainer



Code: AQ Titan Polished
Code: AQ Titan SK Silk
Code: AQ Titan LN Linen
Code: AQ Titan SA Incl Accessories
Code: AQ Titan SM Incl Mixer
Code: AQ Titan SA/SM Incl Accessories & Mixer
Finish: Polished, Silk, Linen

Size: 1030 x 512mm

Bowls: 406 x 352 x 180mm deep (17 litres at overflow)
295 x 152 x 110mm deep (4 litres at lip)

- Supplied with one waste with overflow
- Manufactured from 1.0mm 304 Grade 18/10 stainless steel
- Includes a template/load spreader for tap mounting
- Sound deadening on drainer
- Low profile edge for easy cleaning
- Can be undermounted
- Sink can be reversed

Minimum cabinetry size required to clear bowls: 545 x 410mm

Aquatica Warranty

Aquatica NZ Limited offer, from the date of purchase, a 2 year warranty on handshowers, a 5 year warranty on tapware and accessories and a lifetime warranty on stainless steel sinks.

Aquatica NZ Limited warrants that only high quality workmanship and materials have been employed in the manufacture of its tapware, accessories and stainless steel products. If any faulty workmanship or materials is proven during the warranty period, Aquatica NZ Limited will at its own cost repair, or at its option replace, the faulty product. The guarantee is non-transferable and proof of purchase is required.

The use of spray or abrasive cleaners of any kind will void the warranty. (Tapware should only be cleaned with a mild detergent and a soft damp cloth).

Failure to use an in-line strainer or filter on lines to tapware incorporating a ceramic cartridge or ceramic disc mechanism will also void the warranty. In the Bay of Plenty (or any area with a high mineral content) failure to install a 1 micro carbon block cartridge may void the warranty.

Every effort has been made to show the products as they will be sold, however, all models and specifications are subject to change without notice.

Aquatica ●●● *Where great products are a sure thing...
Customers are the main thing...
And customer service is everything.*

Aquatica NZ Limited

9 Saunders Place, Avondale, Auckland.
Tel: 09-828 2068, Fax: 09-828 2069
Email: info@aquatica.co.nz or
visit our website: www.aquatica.co.nz