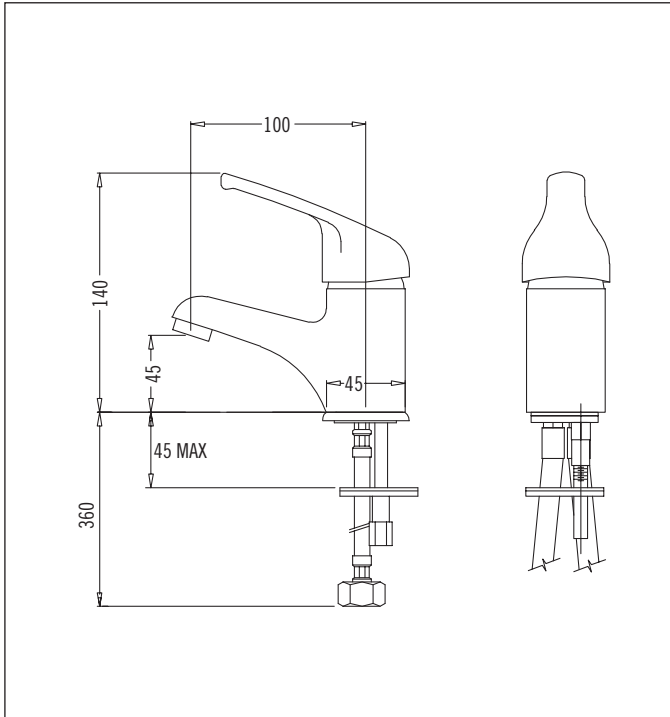


## Basin Mixer



Code: SM BASM CP  
 Finish: Chrome, Chrome/Gold  
 Spout: Fixed

- For Chrome/Gold add OPTION GOLD SGL LEVER to code

Aerator supplied

Stainless Steel Inlet Hoses:

|       |          |         |                |
|-------|----------|---------|----------------|
| Hot:  | I/D: 6mm | Size:   | M10 x 1/2" BSP |
|       |          | Length: | 340mm          |
| Cold: | I/D: 6mm | Size:   | M10 x 1/2" BSP |
|       |          | Length: | 340mm          |

Supplied with base O-ring seal

|                    |                  |          |
|--------------------|------------------|----------|
| Mounting Hardware: | Stud:            | 8mm      |
|                    | Nut:             | 11mm A/F |
|                    | Horseshoe Washer |          |

|                             |              |      |
|-----------------------------|--------------|------|
| Installation Hole Diameter: | Minimum:     | 32mm |
|                             | Maximum:     | 42mm |
|                             | Recommended: | 34mm |

Cartridge: Mondo 40K Flat base

**Handy Tip:** For unequal pressure systems a 6 ltr/min flow regulator is supplied

### Suitable for equal and unequal pressure systems

Recommended Pressure

Operational Range:

|                  |          |
|------------------|----------|
| Minimum:         | 35 kPa   |
| Recommended:     | 600 kPa  |
| Never to Exceed: | 1000 kPa |

Maximum Operating

Temperature: 70°C

### Aquatica Warranty

Aquatica NZ Limited offer, from the date of purchase, a 2 year warranty on handshowers, a 5 year warranty on tapware and accessories and a lifetime warranty on stainless steel sinks.

Aquatica NZ Limited warrants that only high quality workmanship and materials have been employed in the manufacture of its tapware, accessories and stainless steel products. If any faulty workmanship or materials is proven during the warranty period, Aquatica NZ Limited will at its own cost repair, or at its option replace, the faulty product. The guarantee is non-transferable and proof of purchase is required.

The use of spray or abrasive cleaners of any kind will void the warranty. (Tapware should only be cleaned with a mild detergent and a soft damp cloth).

Failure to use an in-line strainer or filter on lines to tapware incorporating a ceramic cartridge or ceramic disc mechanism will also void the warranty. In the Bay of Plenty (or any area with a high mineral content) failure to install a 1 micro carbon block cartridge may void the warranty.

Every effort has been made to show the products as they will be sold, however, all models and specifications are subject to change without notice.

#### Aquatica NZ Limited

9 Saunders Place, Avondale, Auckland.  
 Tel: 09-828 2068, Fax: 09-828 2069  
 Email: info@aquatica.co.nz or  
 visit our website: www.aquatica.co.nz