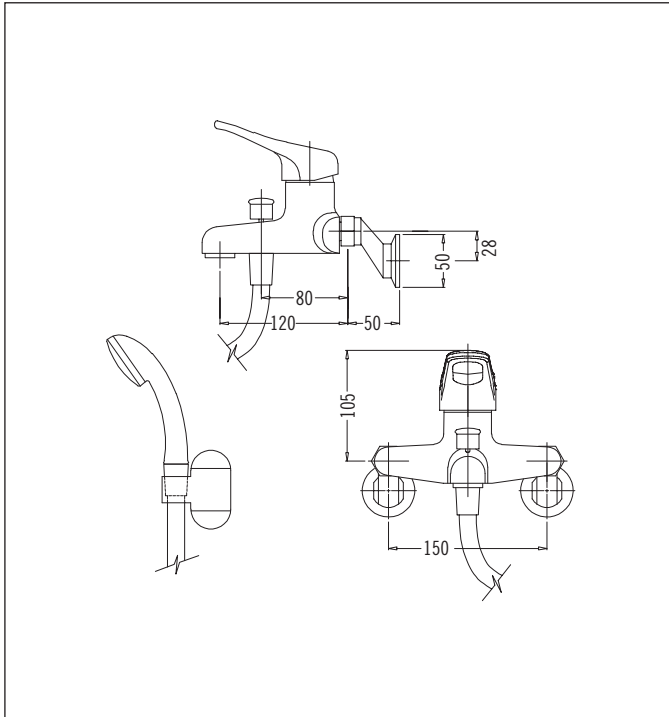


Exposed Bath Mixer with Divertor and Handshower



Code: SG XBM15 CP 15mm eccentrics
 Code: SG XBM20 CP 20mm eccentrics
 Finish: Chrome

- For Chrome/Gold add OPTION GOLD SGL LEVER to code

Ideal for mains pressure

Divertor can be adapted to operate at low pressure (min 50KPa) by request at a small additional charge

Water director and wall bracket supplied

Handshower Hose Internal Diameter: 9.5mm
 Handshower Hose Length: 1.5 metres

Eccentrics: Standard: +/- 54mm
 Special: +/- 115mm
 (available on request)

Eccentric Reach From Wall: Standard: 50mm
 Special: 80mm

Connection Nut to Eccentric: 29mm A/F

Installation Hole Diameter - 15mm Eccentrics:
 Minimum: 22mm
 Maximum: 45mm

Installation Hole Diameter - 20mm Eccentrics:
 Minimum: 26mm
 Maximum: 45mm

Cartridge: Mondo 40k Plus Raised base

Equal pressure systems only

Recommended Pressure

Operational Range:

Minimum: 100 kPa

(Modified version)

Minimum: 50 kPa

Recommended: 600 kPa

Never to Exceed: 1000 kPa

Maximum Operating

Temperature: 70°C

Aquatica Warranty

Aquatica NZ Limited offer, from the date of purchase, a 2 year warranty on handshowers, a 5 year warranty on tapware and accessories and a lifetime warranty on stainless steel sinks.

Aquatica NZ Limited warrants that only high quality workmanship and materials have been employed in the manufacture of its tapware, accessories and stainless steel products. If any faulty workmanship or materials is proven during the warranty period, Aquatica NZ Limited will at its own cost repair, or at its option replace, the faulty product. The guarantee is non-transferable and proof of purchase is required.

The use of spray or abrasive cleaners of any kind will void the warranty. (Tapware should only be cleaned with a mild detergent and a soft damp cloth).

Failure to use an in-line strainer or filter on lines to tapware incorporating a ceramic cartridge or ceramic disc mechanism will also void the warranty. In the Bay of Plenty (or any area with a high mineral content) failure to install a 1 micro carbon block cartridge may void the warranty.

Every effort has been made to show the products as they will be sold, however, all models and specifications are subject to change without notice.

Aquatica NZ Limited

9 Saunders Place, Avondale, Auckland.

Tel: 09-828 2068, Fax: 09-828 2069

Email: info@aquatica.co.nz or

visit our website: www.aquatica.co.nz