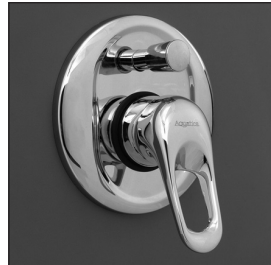
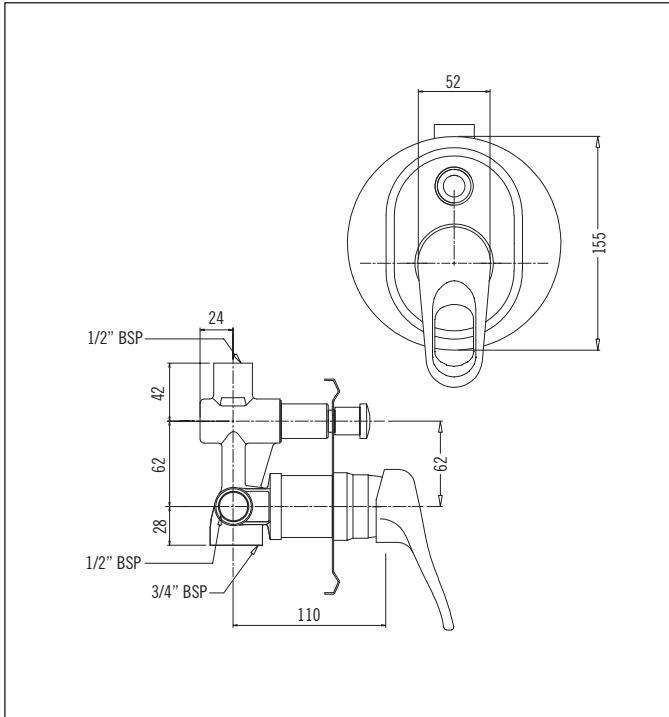


## Shower Mixer with Bath Divertor



Code: SG SHMBD CP  
 Finish: Chrome, Chrome/Gold

- For Chrome/Gold add OPTION GOLD SGL LEVER to code

Faceplate Diameter: 155mm  
 Barrel Diameter: 46mm  
 Divertor barrel diameter: 26mm  
 Centre to centre (mixer to divertor): 62mm

Backset: (Mounting board to front of lining)

Minimum: 50mm  
 Maximum: 70mm  
 Recommended: 60mm

Installation Hole Diameter: Minimum Length: 98mm  
 Minimum Width: 145mm

Requires 3 wing back shower nipples for mounting (not shown on line drawing)

Cartridge: Mondo 40K Flat base

Divertor type: Auto-lockable  
 Operation: Pull to divert  
 Turn to lock

Default outlet: Lower 3/4" BSP Female

### Equal pressure systems only

Recommended Pressure  
 Operational Range:  
 Minimum: 100 kPa  
 Recommended: 600 kPa  
 Never to Exceed: 1000 kPa

Maximum Operating  
 Temperature: 70°C

### Aquatica Warranty

Aquatica NZ Limited offer, from the date of purchase, a 2 year warranty on handshowers, a 5 year warranty on tapware and accessories and a lifetime warranty on stainless steel sinks.

Aquatica NZ Limited warrants that only high quality workmanship and materials have been employed in the manufacture of its tapware, accessories and stainless steel products. If any faulty workmanship or materials is proven during the warranty period, Aquatica NZ Limited will at its own cost repair, or at its option replace, the faulty product. The guarantee is non-transferable and proof of purchase is required.

The use of spray or abrasive cleaners of any kind will void the warranty. (Tapware should only be cleaned with a mild detergent and a soft damp cloth).

Failure to use an in-line strainer or filter on lines to tapware incorporating a ceramic cartridge or ceramic disc mechanism will also void the warranty. In the Bay of Plenty (or any area with a high mineral content) failure to install a 1 micro carbon block cartridge may void the warranty.

Every effort has been made to show the products as they will be sold, however, all models and specifications are subject to change without notice.