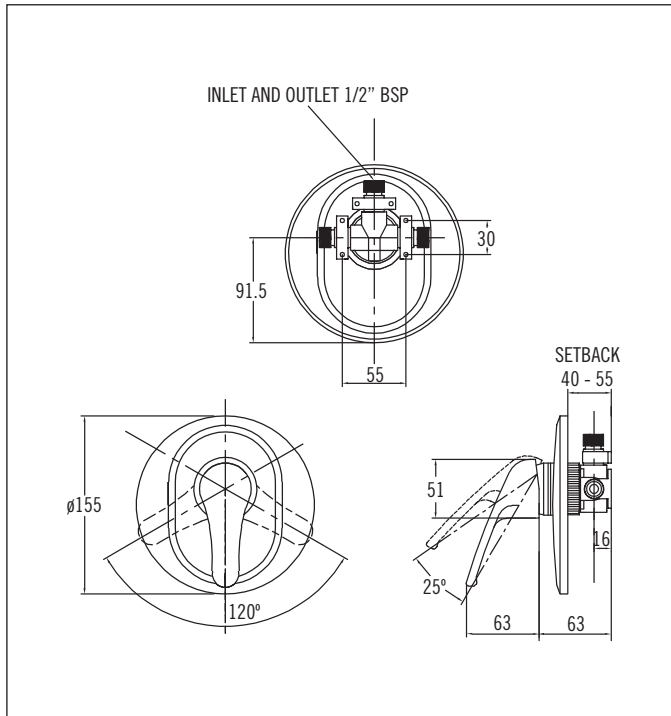


## New Diva Shower Mixer with venturi action



### Specifically for unequal pressure situations

Code: SG NEWDIVA CP  
Finish: Chrome only

Faceplate Diameter: 155mm  
Barrel Diameter: 53.5mm

Backset: (Mounting board to front of lining)  
Minimum: 40mm  
Maximum: 55mm  
Recommended: 50mm

Installation Hole Diameter: Minimum: 54mm  
Maximum: 120mm

Cartridge: ST NCC (4 port)

### Also suitable for equal and unequal pressure systems

Min. Hot Water Pressure: 20 kPa

Min. Hot Water Temperature: 55°C

Max. Water Temperature: 70°C

Max. Water Pressure: 1000 kPa

### Aquatica Warranty

Aquatica NZ Limited offer, from the date of purchase, a 2 year warranty on handshowers, a 5 year warranty on tapware and accessories and a lifetime warranty on stainless steel sinks.

Aquatica NZ Limited warrants that only high quality workmanship and materials have been employed in the manufacture of its tapware, accessories and stainless steel products. If any faulty workmanship or materials is proven during the warranty period, Aquatica NZ Limited will at its own cost repair, or at its option replace, the faulty product. The guarantee is non-transferable and proof of purchase is required.

The use of spray or abrasive cleaners of any kind will void the warranty. (Tapware should only be cleaned with a mild detergent and a soft damp cloth).

Failure to use an in-line strainer or filter on lines to tapware incorporating a ceramic cartridge or ceramic disc mechanism will also void the warranty. In the Bay of Plenty (or any area with a high mineral content) failure to install a 1 micro carbon block cartridge may void the warranty.

Every effort has been made to show the products as they will be sold, however, all models and specifications are subject to change without notice.

#### Aquatica NZ Limited

9 Saunders Place, Avondale, Auckland.  
Tel: 09-828 2068, Fax: 09-828 2069  
Email: [info@aquatica.co.nz](mailto:info@aquatica.co.nz) or  
visit our website: [www.aquatica.co.nz](http://www.aquatica.co.nz)