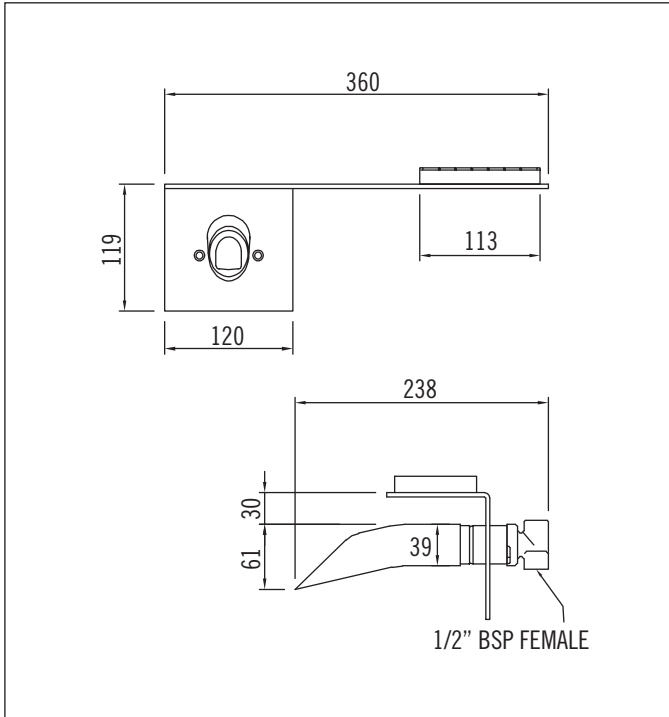


Only One

Curva Multispray Handshower Wall Mounted Basin Mixer and Shelf with Soap Dish



Code: OO BASMWM SHELF360 CP
Finish: Chrome
Spout: Controls on/off and hot/cold

Installation Hole Diameter: Minimum: 41mm
Maximum: 100mm

Backset: Minimum: 45mm (To Mounting Face)
Maximum: 67mm (To Mounting Face)

Faceplate: 120mm x 120mm

Shelf: 100mm x 360mm With soap dish

Cartridge: Mondo 25J Flat base, splined shaft
Note: Hot and cold inlets are reversed with this cartridge

Mounting bracket and inlet nipples (male/male) not shown

Mains pressure only

Recommended Pressure
Operational Range:
Minimum: 150 kPa
Recommended: 600 kPa
Never to Exceed: 1000 kPa
Maximum Operating
Temperature: 70°C

Aquatica Warranty

Aquatica NZ Limited offer, from the date of purchase, a 2 year warranty on handshowers, a 5 year warranty on tapware and accessories and a lifetime warranty on stainless steel sinks.

Aquatica NZ Limited warrants that only high quality workmanship and materials have been employed in the manufacture of its tapware, accessories and stainless steel products. If any faulty workmanship or materials is proven during the warranty period, Aquatica NZ Limited will at its own cost repair, or at its option replace, the faulty product. The guarantee is non-transferable and proof of purchase is required.

The use of spray or abrasive cleaners of any kind will void the warranty. (Tapware should only be cleaned with a mild detergent and a soft damp cloth).

Failure to use an in-line strainer or filter on lines to tapware incorporating a ceramic cartridge or ceramic disc mechanism will also void the warranty. In the Bay of Plenty (or any area with a high mineral content) failure to install a 1 micro carbon block cartridge may void the warranty.

Every effort has been made to show the products as they will be sold, however, all models and specifications are subject to change without notice.

Aquatica ●●● *Where great products are a sure thing...
Customers are the main thing...
And customer service is everything.*

Aquatica NZ Limited

9 Saunders Place, Avondale, Auckland.
Tel: 09-828 2068, Fax: 09-828 2069
Email: info@aquatica.co.nz or
visit our website: www.aquatica.co.nz