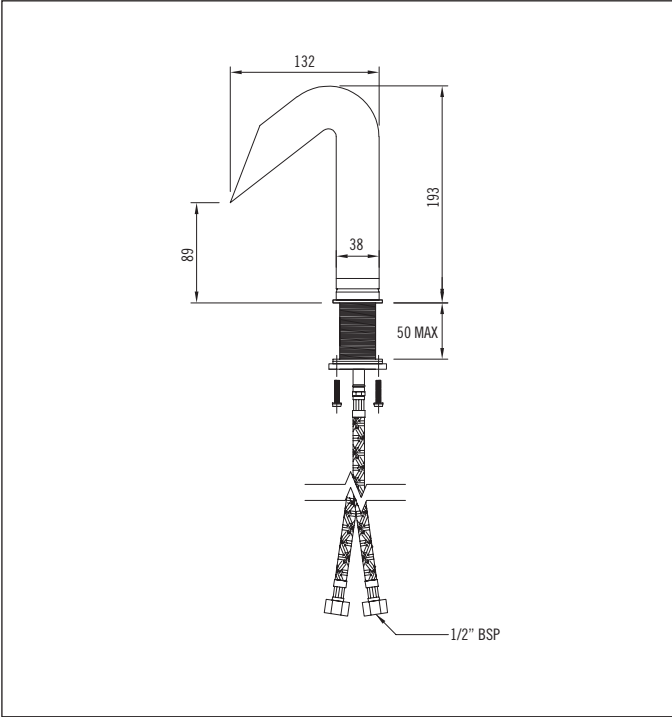


Only One

# Basin Mixer



- Code: OO BASM CP
- Finish: Chrome
- Spout: Controls on/off and hot/cold
- Flow regulator in spout
- Stainless Steel Inlet Hoses:
  - Hot: I/D: 6mm      Size: M10 x 1/2" BSP  
                                         Length: 350mm
  - Cold: I/D: 6mm      Size: M10 x 1/2" BSP  
                                         Length: 350mm
- Mounting Hardware: Thread: 33mm  
                                         Nut: 52mm threaded ring with screw clamping
- Installation Hole Diameter: Minimum: 33mm  
                                         Maximum: 35mm  
                                         Recommended: 33mm
- Cartridge: Mondo 25J      Flat base, splined shaft  
                                         Note: Hot and cold inlets are reversed with this cartridge

With 2 piece spring-loaded mushroom waste (32mm)  
 Note: This waste is not suitable if mounted through a non-water tolerant material (ie. wood)

### Mains pressure only

- Recommended Pressure
- Operational Range:
  - Minimum: 150 kPa
  - Recommended: 600 kPa
  - Never to Exceed: 1000 kPa
- Maximum Operating Temperature: 70°C

### Aquatica Warranty

Aquatica NZ Limited offer, from the date of purchase, a 2 year warranty on handshowers, a 5 year warranty on tapware and accessories and a lifetime warranty on stainless steel sinks.

Aquatica NZ Limited warrants that only high quality workmanship and materials have been employed in the manufacture of its tapware, accessories and stainless steel products. If any faulty workmanship or materials is proven during the warranty period, Aquatica NZ Limited will at its own cost repair, or at its option replace, the faulty product. The guarantee is non-transferable and proof of purchase is required.

The use of spray or abrasive cleaners of any kind will void the warranty. (Tapware should only be cleaned with a mild detergent and a soft damp cloth).

Failure to use an in-line strainer or filter on lines to tapware incorporating a ceramic cartridge or ceramic disc mechanism will also void the warranty. In the Bay of Plenty (or any area with a high mineral content) failure to install a 1 micro carbon block cartridge may void the warranty.

Every effort has been made to show the products as they will be sold, however, all models and specifications are subject to change without notice.

