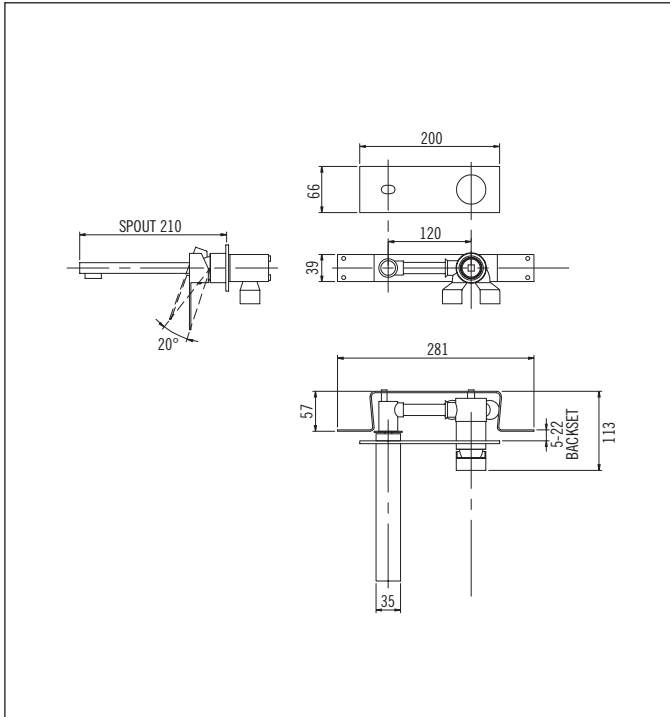


Wall Mounted 2-Hole Basin Mixer



Code: OB 2BASIN CP
Finish: Chrome

Faceplate: 200mm x 66mm
Barrel Diameter: 42mm

Supplied with mounting bracket.

Backset requirements: Minimum: 5mm
Maximum: 22mm

Installation Hole Diameter: Minimum: 21mm and 43mm
Maximum: 55mm - 118mm apart

Inlets: 1/2" BSP female

Spout: 35mm x 15mm
Length: 190mm to Aerator

Cartridge: Mondo 35K Flat base

Mains pressure only

Recommended Pressure
Operational Range:
Minimum: 150 kPa
Recommended: 600 kPa
Never to Exceed: 1000 kPa
Maximum Operating
Temperature: 70°C

Aquatica Warranty

Aquatica NZ Limited offer, from the date of purchase, a 2 year warranty on handshowers, a 5 year warranty on tapware and accessories and a lifetime warranty on stainless steel sinks.

Aquatica NZ Limited warrants that only high quality workmanship and materials have been employed in the manufacture of its tapware, accessories and stainless steel products. If any faulty workmanship or materials is proven during the warranty period, Aquatica NZ Limited will at its own cost repair, or at its option replace, the faulty product. The guarantee is non-transferable and proof of purchase is required.

The use of spray or abrasive cleaners of any kind will void the warranty. (Tapware should only be cleaned with a mild detergent and a soft damp cloth).

Failure to use an in-line strainer or filter on lines to tapware incorporating a ceramic cartridge or ceramic disc mechanism will also void the warranty. In the Bay of Plenty (or any area with a high mineral content) failure to install a 1 micro carbon block cartridge may void the warranty.

Every effort has been made to show the products as they will be sold, however, all models and specifications are subject to change without notice.

Aquatica NZ Limited

9 Saunders Place, Avondale, Auckland.
Tel: 09-828 2068, Fax: 09-828 2069
Email: info@aquatica.co.nz or
visit our website: www.aquatica.co.nz