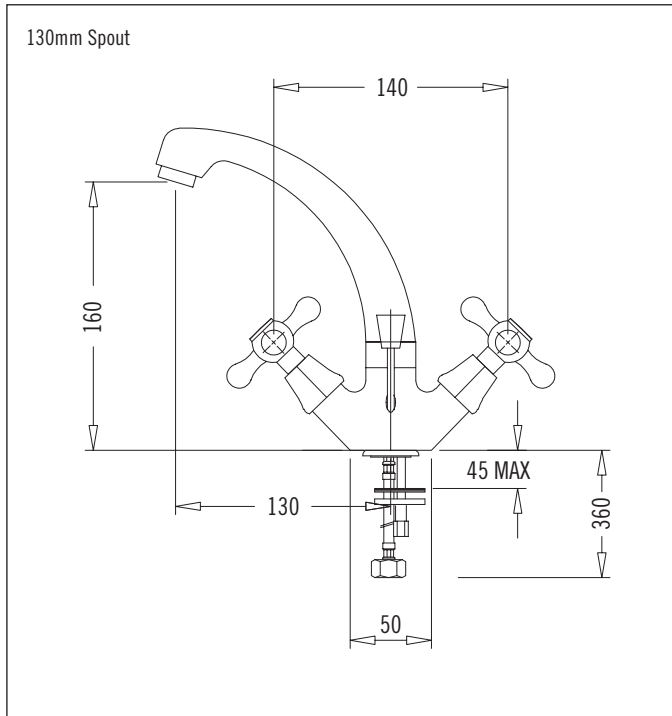


# 1 Hole Basin Set with Pop-up Waste



Code: NV 1BASIN CP  
 Finish: Chrome, Chrome/Gold  
 Mechanism: Standard Washer

- Range available with half-turn ceramic mechanism on request (add OPTION CERAMIC to code)
- Spout: Swivel 360°
- Normally supplied with 130mm (short) spout
- For large spout (≈80mm taller x 60mm longer reach) add OPTION SPOUT EXP 195 to code
- For Chrome/Gold add OPTION GOLD NV to code

Aerator supplied

Stainless Steel Inlet Hoses:

Hot:	I/D: 6mm	Size:	M10 x 1/2" BSP
		Length:	300mm
Cold:	I/D: 6mm	Size:	M10 x 1/2" BSP
		Length:	300mm

Metal Base Ring supplied with O-ring seal

Mounting Hardware:	Stud:	8mm
	Nut:	11mm A/F
	Horseshoe Washer	

Installation Hole Diameter:	Minimum:	32mm
	Maximum:	37mm
	Recommended:	34mm

**Handy Tip:** For very low pressure the standard mechanism will provide a greater flow than ceramic mechanism

## Suitable for equal and unequal pressure systems

Recommended Pressure  
 Operational Range:  
 Minimum: 15 kPa  
 Recommended: 600 kPa  
 Never to Exceed: 1000 kPa  
 Maximum Operating Temperature: 70°C

## Aquatica Warranty

Aquatica NZ Limited offer, from the date of purchase, a 2 year warranty on handshowers, a 5 year warranty on tapware and accessories and a lifetime warranty on stainless steel sinks.

Aquatica NZ Limited warrants that only high quality workmanship and materials have been employed in the manufacture of its tapware, accessories and stainless steel products. If any faulty workmanship or materials is proven during the warranty period, Aquatica NZ Limited will at its own cost repair, or at its option replace, the faulty product. The guarantee is non-transferable and proof of purchase is required.

The use of spray or abrasive cleaners of any kind will void the warranty. (Tapware should only be cleaned with a mild detergent and a soft damp cloth).

Failure to use an in-line strainer or filter on lines to tapware incorporating a ceramic cartridge or ceramic disc mechanism will also void the warranty. In the Bay of Plenty (or any area with a high mineral content) failure to install a 1 micro carbon block cartridge may void the warranty.

Every effort has been made to show the products as they will be sold, however, all models and specifications are subject to change without notice.

### Aquatica NZ Limited

9 Saunders Place, Avondale, Auckland.  
 Tel: 09-828 2068, Fax: 09-828 2069  
 Email: info@aquatica.co.nz  
 visit our website: www.aquatica.co.nz