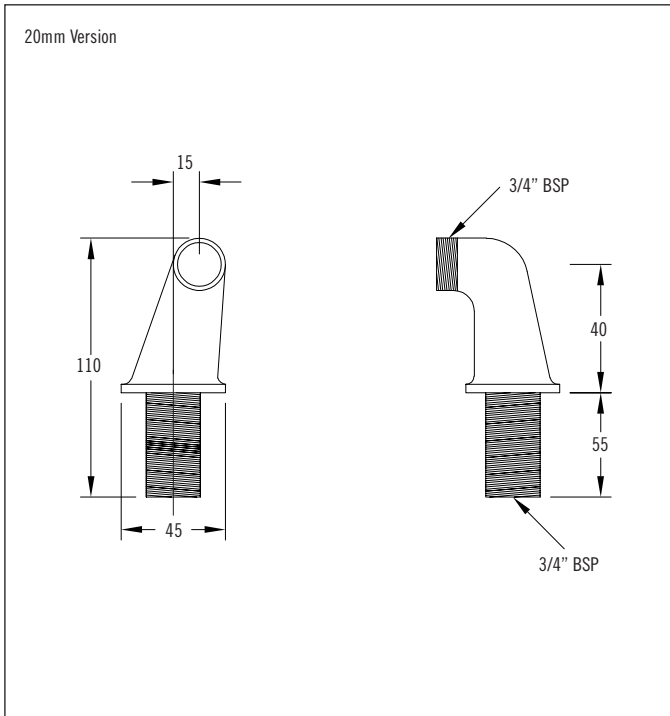


Optional Pillars to hob mount any exposed set including Telephone Handshower



Code: NV TELEM15 CP 15mm (more tubular than pictured) with no offset

Code: NV TELEM20 CP 20mm
Finish: Chrome

Sold as a pair

15mm Units
Inlet: 15mm Male
Outlet: 20mm Male
Installation Hole Diameter: Minimum: 22mm
Maximum: 40mm

20mm Units
Inlet: 20mm Male
Outlet: 20mm Male
Installation Hole Diameter: Minimum: 26mm
Maximum: 40mm

Note that for the 20mm units the inlet to outlet is offset by 30mm per pair (i.e. - for mixers with 150mm centres the hob should be drilled at 180mm centres)

Aquatica Warranty

Aquatica NZ Limited offer, from the date of purchase, a 2 year warranty on handshowers, a 5 year warranty on tapware and accessories and a lifetime warranty on stainless steel sinks.

Aquatica NZ Limited warrants that only high quality workmanship and materials have been employed in the manufacture of its tapware, accessories and stainless steel products. If any faulty workmanship or materials is proven during the warranty period, Aquatica NZ Limited will at its own cost repair, or at its option replace, the faulty product. The guarantee is non-transferable and proof of purchase is required.

The use of spray or abrasive cleaners of any kind will void the warranty. (Tapware should only be cleaned with a mild detergent and a soft damp cloth).

Failure to use an in-line strainer or filter on lines to tapware incorporating a ceramic cartridge or ceramic disc mechanism will also void the warranty. In the Bay of Plenty (or any area with a high mineral content) failure to install a 1 micro carbon block cartridge may void the warranty.

Every effort has been made to show the products as they will be sold, however, all models and specifications are subject to change without notice.

Aquatica NZ Limited

9 Saunders Place, Avondale, Auckland.
Tel: 09-828 2068, Fax: 09-828 2069
Email: info@aquatica.co.nz or
visit our website: www.aquatica.co.nz