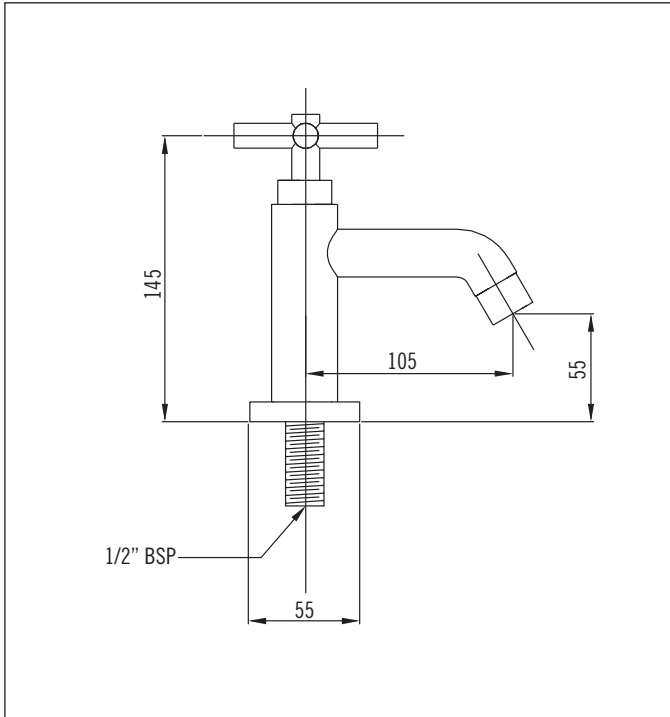


## Basin Tap



Code: MK BAST CP  
 Finish: Chrome  
 Mechanism: 180° ceramic

Supplied with Aerator

Inlet 1/2" BSP Male

Metal base ring supplied with O-ring seal

Mounting Hardware: Nut: 27mm A/F

Installation Hole Diameter: Minimum: 21mm  
 Maximum: 45mm  
 Recommended: 25mm

**Handy Tip: To remove handle, remove cover cap and screw.**

### Mains pressure only

Recommended Pressure

Operational Range:

Minimum: 150 kPa

Recommended: 600 kPa

Never to Exceed: 1000 kPa

Maximum Operating

Temperature: 70°C

### Aquatica Warranty

Aquatica NZ Limited offer, from the date of purchase, a 2 year warranty on handshowers, a 5 year warranty on tapware and accessories and a lifetime warranty on stainless steel sinks.

Aquatica NZ Limited warrants that only high quality workmanship and materials have been employed in the manufacture of its tapware, accessories and stainless steel products. If any faulty workmanship or materials is proven during the warranty period, Aquatica NZ Limited will at its own cost repair, or at its option replace, the faulty product. The guarantee is non-transferable and proof of purchase is required.

The use of spray or abrasive cleaners of any kind will void the warranty. (Tapware should only be cleaned with a mild detergent and a soft damp cloth).

Failure to use an in-line strainer or filter on lines to tapware incorporating a ceramic cartridge or ceramic disc mechanism will also void the warranty. In the Bay of Plenty (or any area with a high mineral content) failure to install a 1 micro carbon block cartridge may void the warranty.

Every effort has been made to show the products as they will be sold, however, all models and specifications are subject to change without notice.

### Aquatica NZ Limited

9 Saunders Place, Avondale, Auckland.  
 Tel: 09-828 2068, Fax: 09-828 2069  
 Email: info@aquatica.co.nz or  
 visit our website: www.aquatica.co.nz