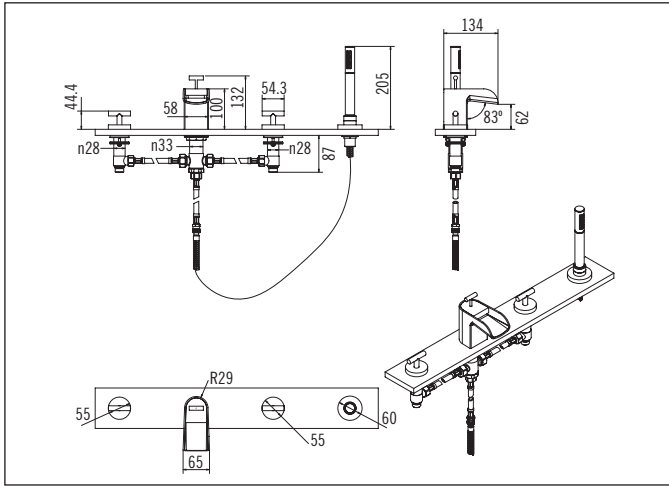


4 Hole Bath Set



Mains pressure only

Recommended Pressure
 Operational Range:
 Minimum: 150 kPa
 Recommended: 600 kPa
 Never to Exceed: 1000 kPa
 Maximum Operating
 Temperature: 70°C

Code: LM BSETHOB4 CP Ceramic 90°
 Finish: Chrome
 Spout: Fixed

Socket supplied to access ceramic headworks
 Supplied with two 9 litre/minute flow regulators (fitted at inlet to spout)

Stainless Braided Connector Hoses:

Hot: I/D: 6mm Size: 3/4" BSP x 1/2" BSP
 Length: 500mm
 (Connects taps to spout)

Cold: I/D: 6mm Size: 3/4" BSP x 1/2" BSP
 Length: 500mm

Mixed to Handshower I/D: 6mm Size: 3/8" BSP x 1/2" BSP
 Length: 500mm

Handshower Hose: I/D: 6.5mm Size: 3/8" BSP x 1/2" BSP
 Length: 1200mm

Handshower Head Material: Brass

Mounting Hardware - Taps: Diameter: 28mm Threaded Tube
 Nut: Ring with 2x Clamping screws
 Thickness: 35mm Max

Mounting Hardware - Spout: Diameter: 33mm Threaded Tube
 Nut: 45mm AF
 Thickness: 40mm Max

Mounting Hardware - Spray head Mount: Diameter: 26mm Threaded Tube
 Nut: 30mm AF
 Thickness: 35mm Max

Installation Hole Diameter - Taps: Minimum: 28mm
 Maximum: 40mm
 Recommended: 32mm

Installation Hole Diameter - Spout: Minimum: 33mm
 Maximum: 45mm
 Recommended: 35mm

Installation Hole Diameter - Spray Head: Minimum: 26mm
 Maximum: 50mm
 Recommended: 28mm

Aquatica Warranty

Aquatica NZ Limited offer, from the date of purchase, a 2 year warranty on handshowers, a 5 year warranty on tapware and accessories and a lifetime warranty on stainless steel sinks.

Aquatica NZ Limited warrants that only high quality workmanship and materials have been employed in the manufacture of its tapware, accessories and stainless steel products. If any faulty workmanship or materials is proven during the warranty period, Aquatica NZ Limited will at its own cost repair, or at its option replace, the faulty product. The guarantee is non-transferable and proof of purchase is required.

The use of spray or abrasive cleaners of any kind will void the warranty. (Tapware should only be cleaned with a mild detergent and a soft damp cloth).

Failure to use an in-line strainer or filter on lines to tapware incorporating a ceramic cartridge or ceramic disc mechanism will also void the warranty. In the Bay of Plenty (or any area with a high mineral content) failure to install a 1 micro carbon block cartridge may void the warranty.

Every effort has been made to show the products as they will be sold, however, all models and specifications are subject to change without notice.

Aquatica NZ Limited

9 Saunders Place, Avondale, Auckland.
 Tel: 09-828 2068, Fax: 09-828 2069
 Email: info@aquatica.co.nz or
 visit our website: www.aquatica.co.nz