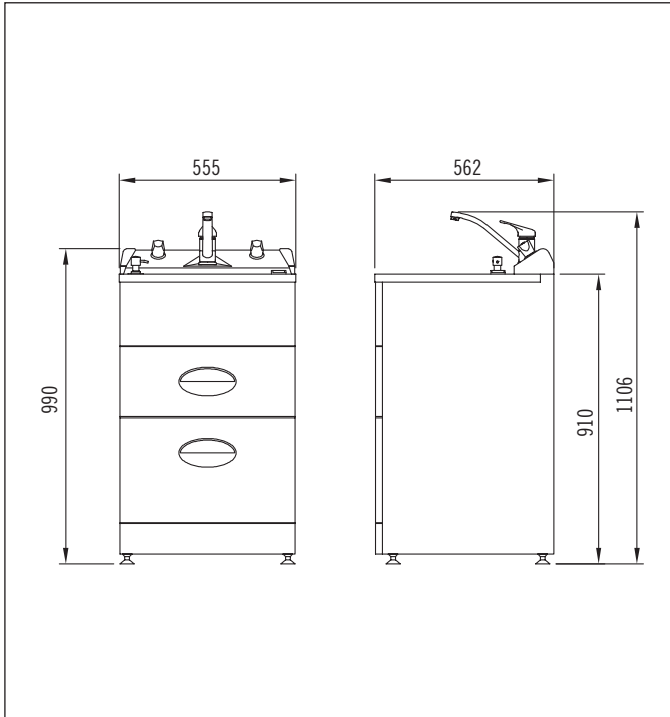


LaundraMax



Equal or unequal pressure

Recommended Pressure
Operational Range:

Minimum: 35KPa
Recommended: 600 kPa
Never to Exceed: 1000KPa

Maximum Operating Temp: 70°C

Code: AQ LAUNDRAMAX

- Extra thick and robust long-life powder-coated galvanised steel cabinet (up to 20% thicker than other cabinets)
- Pressed, seamless laundry tub with anti-drip lip (25 litres at overflow)
- Single lever mixer for easy mixing of water
- Metal tap handles (not plastic)
- Easily adjustable feet
- Flowing soap dispenser
- Recessed drawer handles
- Cable controlled waste
- Handy storage buckets included
- Full extension quality drawer runners - to allow full access to storage buckets
- Overflow capacity greater than 25 litres per minute
- Upper drawer capacity 470mm x 380mm x 200mm high
Lower drawer capacity 470mm x 380mm x 305mm high

Equal or unequal pressure

Recommended Pressure
Operational Range:

Minimum: 35 kPa
Recommended: 600 kPa
Never to Exceed: 1000 kPa

Maximum Operating
Temperature: 70°C

Aquatica Warranty

Aquatica NZ Limited offer, from the date of purchase, a 2 year warranty on handshowers, a 5 year warranty on tapware and accessories and a lifetime warranty on stainless steel sinks.

Aquatica NZ Limited warrants that only high quality workmanship and materials have been employed in the manufacture of its tapware, accessories and stainless steel products. If any faulty workmanship or materials is proven during the warranty period, Aquatica NZ Limited will at its own cost repair, or at its option replace, the faulty product. The guarantee is non-transferable and proof of purchase is required.

The use of spray or abrasive cleaners of any kind will void the warranty. (Tapware should only be cleaned with a mild detergent and a soft damp cloth).

Failure to use an in-line strainer or filter on lines to tapware incorporating a ceramic cartridge or ceramic disc mechanism will also void the warranty. In the Bay of Plenty (or any area with a high mineral content) failure to install a 1 micro carbon block cartridge may void the warranty.

Every effort has been made to show the products as they will be sold, however, all models and specifications are subject to change without notice.

Aquatica NZ Limited

9 Saunders Place, Avondale, Auckland.
Tel: 09-828 2068, Fax: 09-828 2069
Email: info@aquatica.co.nz or
visit our website: www.aquatica.co.nz