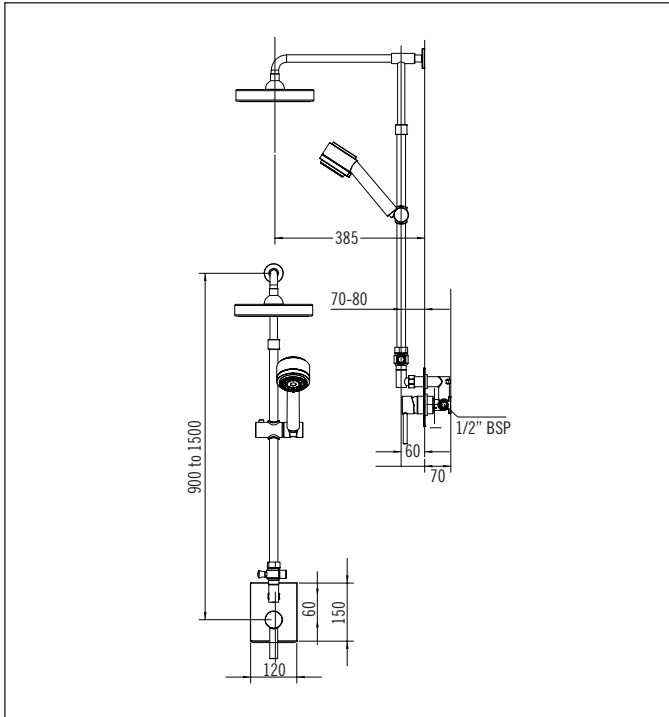


Handshowers

All measurements are nominal.

Quadrato Shower Centre



Code: QD SHC CP
Finish: Chrome

Faceplate: 150mm x 120mm
Barrel Diameter: 45mm
Outlet Diameter: 26mm
Centre to centre (mixer to outlet): ≈68mm

Backset: (Mounting board to front of lining)

Minimum: 70mm
Maximum: 80mm
Recommended: 80mm

Installation Hole Size: Minimum: 104mm x 46mm
Maximum: 140mm x 100mm

Cartridge: Mondo 35K Flat base

Rain Head Diameter: 210mm
Diverter type: Auto-lockable
Operation: Pull to divert
Turn to lock

Default outlet: Rain head

Note: Rain head is height adjustable from 900mm to 1500mm above mixer.

Note: Supplied with bracket for thin wall mounting.

Mains pressure only

Recommended Pressure
Operational Range:
Minimum: 150 kPa
Recommended: 600 kPa
Never to Exceed: 1000 kPa

Maximum Operating
Temperature: 70°C

Spray Functions: Standard
spray, pulsating, aerated (plus
a combination of pulsating
and standard or aerated and
standard)

Aquatica Warranty

Aquatica NZ Limited offer, from the date of purchase, a 2 year warranty on handshowers, a 5 year warranty on tapware and accessories and a lifetime warranty on stainless steel sinks.

Aquatica NZ Limited warrants that only high quality workmanship and materials have been employed in the manufacture of its tapware, accessories and stainless steel products. If any faulty workmanship or materials is proven during the warranty period, Aquatica NZ Limited will at its own cost repair, or at its option replace, the faulty product. The guarantee is non-transferable and proof of purchase is required.

The use of spray or abrasive cleaners of any kind will void the warranty. (Tapware should only be cleaned with a mild detergent and a soft damp cloth).

Failure to use an in-line strainer or filter on lines to tapware incorporating a ceramic cartridge or ceramic disc mechanism will also void the warranty. In the Bay of Plenty (or any area with a high mineral content) failure to install a 1 micro carbon block cartridge may void the warranty.

Every effort has been made to show the products as they will be sold, however, all models and specifications are subject to change without notice.

Aquatica ●●● *Where great products are a sure thing...
Customers are the main thing...
And customer service is everything.*

Aquatica NZ Limited

9 Saunders Place, Avondale, Auckland.
Tel: 09-828 2068, Fax: 09-828 2069
Email: info@aquatica.co.nz or
visit our website: www.aquatica.co.nz