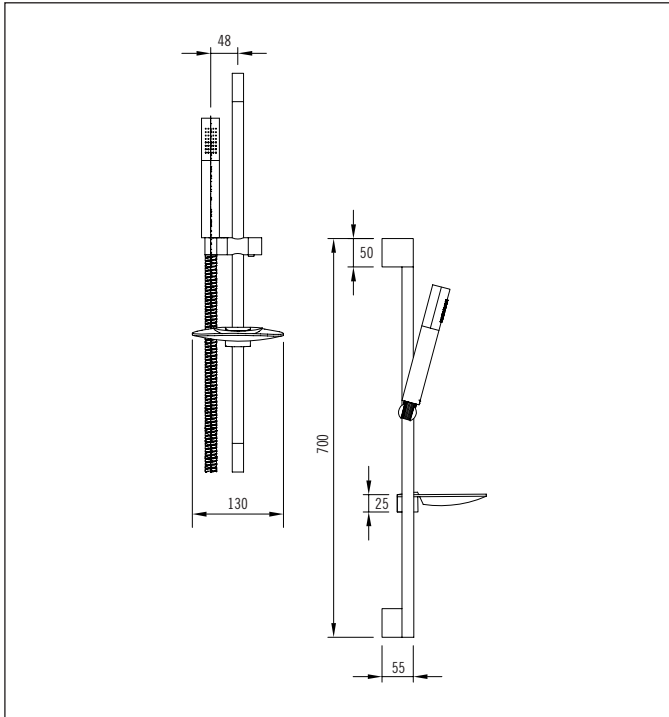


# Handshowers

All measurements are nominal.

## Minima Handshower Set



Code:	MM SSHSS CP	
Code:	MM SHS CP	Head only
Finish:	Chrome	
Rail Clamp:	Twist lock	
Rail Length:	700mm	
Rail Diameter:	19mm	
Centre to Centre:	≈650mm	
Spray Hose Construction:	Metal widebore	
Spray Hose Internal Diameter:	9.5mm	
Spray Hose Length:	1.5m	
Wall Elbow Installation Hole Diameter:		
	Minimum:	21mm
	Maximum:	46mm

Supplied complete with soapdish and luxury wall elbow

**Handy Tip: Rail can be shortened if required**

### Mains pressure only

Recommended Pressure

Operational Range:

Minimum: 150 kPa

Recommended: 600 kPa

Never to Exceed: 1000 kPa

Maximum Operating

Temperature: 70°C

Spray Functions: Standard  
spray

### Aquatica Warranty

Aquatica NZ Limited offer, from the date of purchase, a 2 year warranty on handshowers, a 5 year warranty on tapware and accessories and a lifetime warranty on stainless steel sinks.

Aquatica NZ Limited warrants that only high quality workmanship and materials have been employed in the manufacture of its tapware, accessories and stainless steel products. If any faulty workmanship or materials is proven during the warranty period, Aquatica NZ Limited will at its own cost repair, or at its option replace, the faulty product. The guarantee is non-transferable and proof of purchase is required.

The use of spray or abrasive cleaners of any kind will void the warranty. (Tapware should only be cleaned with a mild detergent and a soft damp cloth).

Failure to use an in-line strainer or filter on lines to tapware incorporating a ceramic cartridge or ceramic disc mechanism will also void the warranty. In the Bay of Plenty (or any area with a high mineral content) failure to install a 1 micro carbon block cartridge may void the warranty.

Every effort has been made to show the products as they will be sold, however, all models and specifications are subject to change without notice.

**Aquatica** ●●● *Where great products are a sure thing...  
Customers are the main thing...  
And customer service is everything.*

### Aquatica NZ Limited

9 Saunders Place, Avondale, Auckland.

Tel: 09-828 2068, Fax: 09-828 2069

Email: [info@aquatica.co.nz](mailto:info@aquatica.co.nz) or

visit our website: [www.aquatica.co.nz](http://www.aquatica.co.nz)