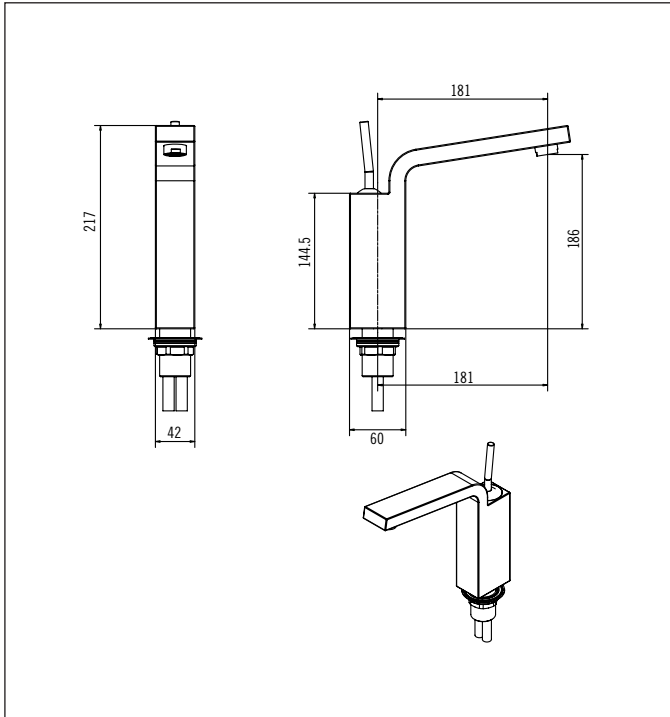


## Sink Mixer



Code: HJ SM CP  
 Finish: Chrome  
 Spout: Swivel 150°

Aerator supplied

Stainless Steel Inlet Hoses incorporating swivels at 1/2" BSP nut:

Hot:	I/D: 6mm	Size:	M10 x 1/2" BSP
		Length:	500mm
Cold:	I/D: 6mm	Size:	M10 x 1/2" BSP
		Length:	500mm

Mounting Hardware:	Threaded Tube:	33mm
	Nut:	36mm A/F

Installation Hole Diameter:	Minimum:	33mm
	Maximum:	35mm
	Recommended:	34mm

Handle body and flexi tail connections all turn with spout

A round dress ring can be supplied if hole is drilled too big or bench is made of easily compressible material, eg. timber.

Cartridge:	LM35K Plus	Raised base, splined shaft
	Note: Hot and cold inlets are reversed with this cartridge	

**Handy Tip:** Due to the nature of the spout swivel mechanism a neat fit is required around the mounting hole.

### Mains pressure only

Recommended Pressure

Operational Range:

Minimum: 150 kPa

Recommended: 600 kPa

Never to Exceed: 1000 kPa

Maximum Operating

Temperature: 70°C

### Aquatica Warranty

Aquatica NZ Limited offer, from the date of purchase, a 2 year warranty on handshowers, a 5 year warranty on tapware and accessories and a lifetime warranty on stainless steel sinks.

Aquatica NZ Limited warrants that only high quality workmanship and materials have been employed in the manufacture of its tapware, accessories and stainless steel products. If any faulty workmanship or materials is proven during the warranty period, Aquatica NZ Limited will at its own cost repair, or at its option replace, the faulty product. The guarantee is non-transferable and proof of purchase is required.

The use of spray or abrasive cleaners of any kind will void the warranty. (Tapware should only be cleaned with a mild detergent and a soft damp cloth).

Failure to use an in-line strainer or filter on lines to tapware incorporating a ceramic cartridge or ceramic disc mechanism will also void the warranty. In the Bay of Plenty (or any area with a high mineral content) failure to install a 1 micro carbon block cartridge may void the warranty.

Every effort has been made to show the products as they will be sold, however, all models and specifications are subject to change without notice.

### Aquatica NZ Limited

9 Saunders Place, Avondale, Auckland.  
 Tel: 09-828 2068, Fax: 09-828 2069  
 Email: info@aquatica.co.nz or  
 visit our website: www.aquatica.co.nz