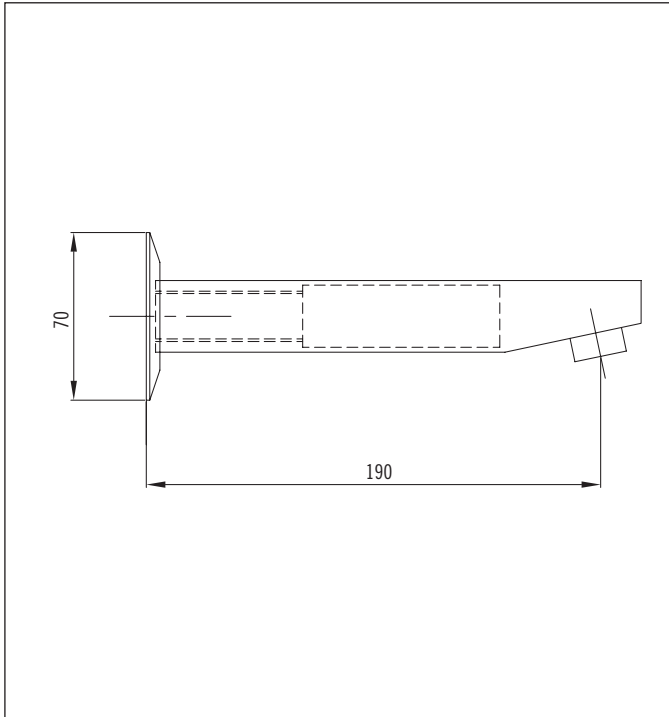


### Xera 200mm Bath Spout



Code: BS XERA200CP      200mm long  
Finish: Chrome  
Inlet: 1/2" BSP Female  
Installation Hole Diameter: Minimum: 21mm  
Maximum: 45mm  
Aerator: 15mm  
To fit spout, screw torque arm into Aerator thread

**Suitable for equal  
and unequal pressure  
systems**

#### **Aquatica Warranty**

Aquatica NZ Limited offer, from the date of purchase, a 2 year warranty on handshowers, a 5 year warranty on tapware and accessories and a lifetime warranty on stainless steel sinks.

Aquatica NZ Limited warrants that only high quality workmanship and materials have been employed in the manufacture of its tapware, accessories and stainless steel products. If any faulty workmanship or materials is proven during the warranty period, Aquatica NZ Limited will at its own cost repair, or at its option replace, the faulty product. The guarantee is non-transferable and proof of purchase is required.

The use of spray or abrasive cleaners of any kind will void the warranty. (Tapware should only be cleaned with a mild detergent and a soft damp cloth).

Failure to use an in-line strainer or filter on lines to tapware incorporating a ceramic cartridge or ceramic disc mechanism will also void the warranty. In the Bay of Plenty (or any area with a high mineral content) failure to install a 1 micro carbon block cartridge may void the warranty.

Every effort has been made to show the products as they will be sold, however, all models and specifications are subject to change without notice.

#### **Aquatica NZ Limited**

9 Saunders Place, Avondale, Auckland.  
Tel: 09-828 2068, Fax: 09-828 2069  
Email: [info@aquatica.co.nz](mailto:info@aquatica.co.nz)  
visit our website: [www.aquatica.co.nz](http://www.aquatica.co.nz)