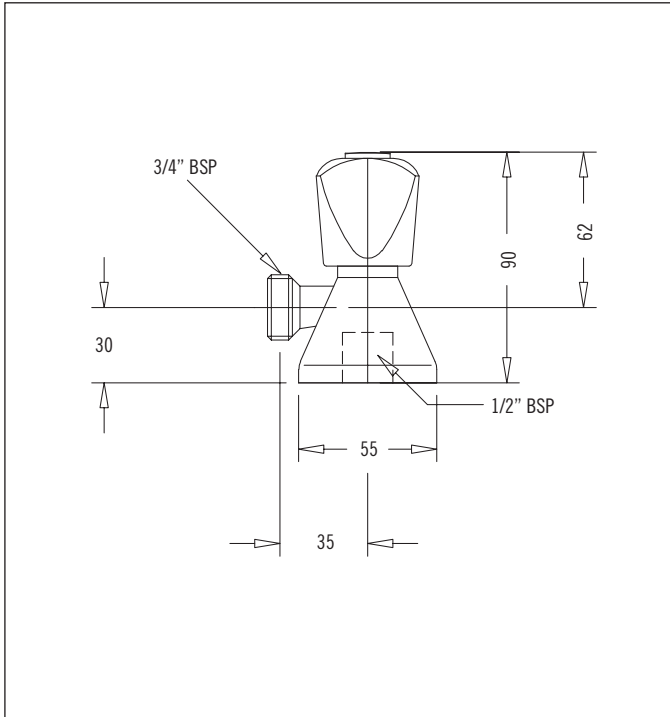


Laundry Taps



Code: BE LT CP
 Finish: Chrome
 Mechanism: Ceramic 180° right handed

- Range available with standard mechanism on request (add OPTION STANDARD to code)

Sold as a pair
 Supplied with base O-ring seal

Inlet: 15mm Female
 Outlet: 20mm Male

Installation Hole Diameter: Minimum: 22mm
 Maximum: 40mm

Handy Tip: For very low pressure the standard mechanism will provide a greater flow than ceramic mechanism

Suitable for equal and unequal pressure systems

Recommended Pressure
 Operational Range:
 Minimum: 35 kPa
 Recommended: 600 kPa
 Never to Exceed: 1000 kPa
 Maximum Operating Temperature: 70°C

Aquatica Warranty

Aquatica NZ Limited offer, from the date of purchase, a 2 year warranty on handshowers, a 5 year warranty on tapware and accessories and a lifetime warranty on stainless steel sinks.

Aquatica NZ Limited warrants that only high quality workmanship and materials have been employed in the manufacture of its tapware, accessories and stainless steel products. If any faulty workmanship or materials is proven during the warranty period, Aquatica NZ Limited will at its own cost repair, or at its option replace, the faulty product. The guarantee is non-transferable and proof of purchase is required.

The use of spray or abrasive cleaners of any kind will void the warranty. (Tapware should only be cleaned with a mild detergent and a soft damp cloth).

Failure to use an in-line strainer or filter on lines to tapware incorporating a ceramic cartridge or ceramic disc mechanism will also void the warranty. In the Bay of Plenty (or any area with a high mineral content) failure to install a 1 micro carbon block cartridge may void the warranty.

Every effort has been made to show the products as they will be sold, however, all models and specifications are subject to change without notice.