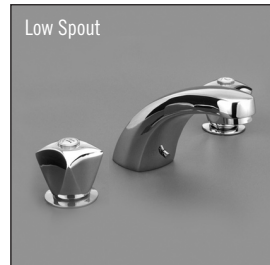
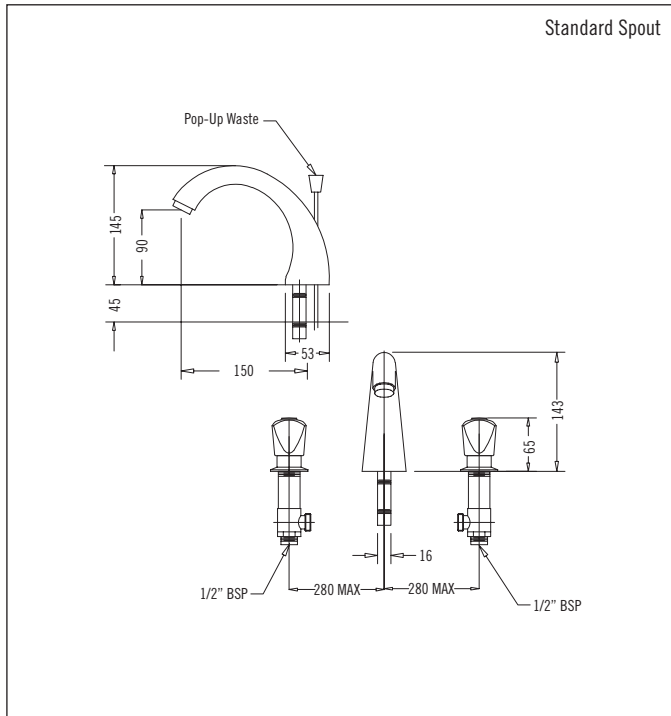


3 Hole Basin Set with Pop-up Waste



Code: BE BASSET CP
 Code: BE BASSETLS CP Low Spout Version (No pop-up waste)
 Finish: Chrome
 Mechanism: Ceramic 180° right handed
 Spout: Fixed

- Range available with standard mechanism on request (add OPTION STANDARD to code)

Aerator supplied

Low Spout: Reach: 115mm at Aerator
 Height: 72mm at Aerator

Stainless Steel Joiner Hoses (connects taps to spout):

Hot: I/D: 6mm Size: M10 x 1/2" BSP
 Length: 300mm

Cold: I/D: 6mm Size: M10 x 1/2" BSP
 Length: 300mm

Metal Base Ring supplied with O-ring seal

Mounting Hardware - Taps: Diameter: 26mm
 Nuts: 30mm A/F

Mounting Hardware - Spout: Diameter: 3/8" BSP
 Nuts: 19mm A/F

Installation Hole Diameter - Taps: Minimum: 26mm
 Maximum: 34mm

Installation Hole Diameter - Spout: Minimum: 25mm
 Maximum: 41mm
 Recommended: 30mm

Handy Tip: For very low pressure the standard mechanism will provide a greater flow than ceramic mechanism

Suitable for equal and unequal pressure systems

Recommended Pressure

Operational Range:

Minimum: 35 kPa

Recommended: 600 kPa

Never to Exceed: 1000 kPa

Maximum Operating

Temperature: 70°C

Aquatica Warranty

Aquatica NZ Limited offer, from the date of purchase, a 2 year warranty on handshowers, a 5 year warranty on tapware and accessories and a lifetime warranty on stainless steel sinks.

Aquatica NZ Limited warrants that only high quality workmanship and materials have been employed in the manufacture of its tapware, accessories and stainless steel products. If any faulty workmanship or materials is proven during the warranty period, Aquatica NZ Limited will at its own cost repair, or at its option replace, the faulty product. The guarantee is non-transferable and proof of purchase is required.

The use of spray or abrasive cleaners of any kind will void the warranty. (Tapware should only be cleaned with a mild detergent and a soft damp cloth).

Failure to use an in-line strainer or filter on lines to tapware incorporating a ceramic cartridge or ceramic disc mechanism will also void the warranty. In the Bay of Plenty (or any area with a high mineral content) failure to install a 1 micro carbon block cartridge may void the warranty.

Every effort has been made to show the products as they will be sold, however, all models and specifications are subject to change without notice.