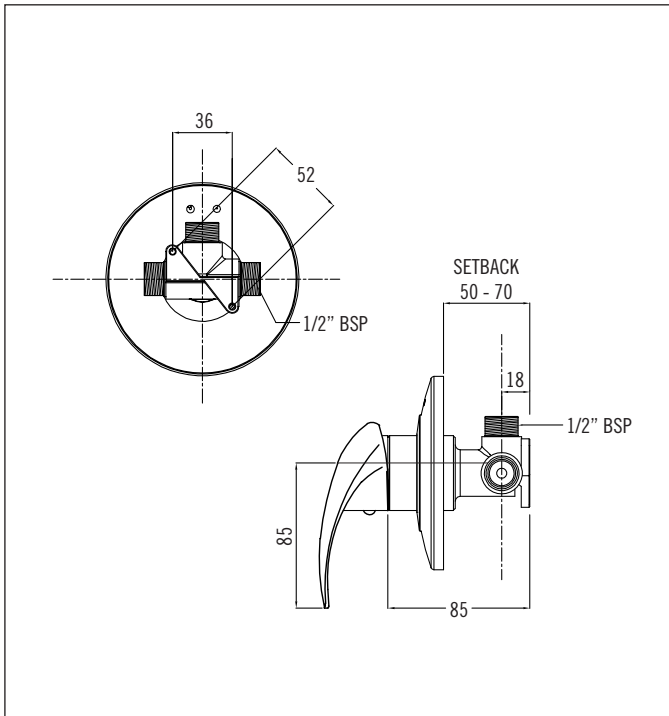


Shower Mixer



Code:	RE SHM CP	
Finish:	Chrome	
Faceplate Diameter:	115mm	
Barrel Diameter:	46mm	
Backset: (Mounting board to front of lining)		
	Minimum:	40mm
	Maximum:	70mm
	Recommended:	60mm
Installation Hole Diameter:	Minimum:	47mm
	Maximum:	105mm
Cartridge:	Mondo 40K	Flat base

Equal pressure systems only

Recommended Pressure
Operational Range:
Minimum: 100 kPa
Recommended: 600 kPa
Never to Exceed: 1000 kPa
Maximum Operating Temperature: 70°C

Aquatica Warranty

Aquatica NZ Limited offer, from the date of purchase, a 2 year warranty on handshowers, a 5 year warranty on tapware and accessories and a lifetime warranty on stainless steel sinks.

Aquatica NZ Limited warrants that only high quality workmanship and materials have been employed in the manufacture of its tapware, accessories and stainless steel products. If any faulty workmanship or materials is proven during the warranty period, Aquatica NZ Limited will at its own cost repair, or at its option replace, the faulty product. The guarantee is non-transferable and proof of purchase is required.

The use of spray or abrasive cleaners of any kind will void the warranty. (Tapware should only be cleaned with a mild detergent and a soft damp cloth).

Failure to use an in-line strainer or filter on lines to tapware incorporating a ceramic cartridge or ceramic disc mechanism will also void the warranty. In the Bay of Plenty (or any area with a high mineral content) failure to install a 1 micro carbon block cartridge may void the warranty.

Every effort has been made to show the products as they will be sold, however, all models and specifications are subject to change without notice.