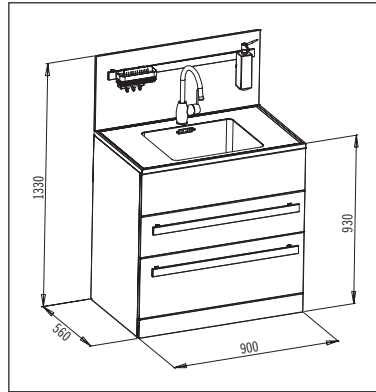


LaundraMax900 SS



Codes:

AQ LAUNDRAMAX900 SS Stainless Steel top with Xera Gooseneck Mixer
 AQ LAUNDRAMAX900 SSO Stainless Steel top with Oblio mixer

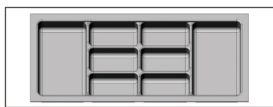
- New 900mm wide laundry unit
- Stainless Steel top with welded in tight radius deep bowl
- Complete with Xera Gooseneck mixer - 5 year warranty
- Complete with 2 storage bins in bottom drawer
- Complete with wire storage rack in bottom drawer
- Extra-thick robust long-life powder-coated cabinet - 5 year warranty
- 2 Full extension drawers with quality runners
- Lifetime warranty on the stainless steel bowl
- Tight radius stainless steel bowl with strainer waste - 500 x 400 x 220mm deep
- Designer overflow - capacity 25 litres per min

Optional Extras

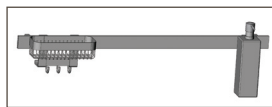
- An Oblio mixer can be supplied instead of the gooseneck mixer - additional charge applies. Mains pressure only.
- Optional acrylic one piece moulded drawer organiser for the top drawer
- Optional splashback with rail and two accessories



Oblio mixer



Drawer Organiser



Splashback with Accessories

All pressures

Recommended Pressure

Operational Range:

Minimum: 35 kPa
 Recommended: 600 kPa
 Maximum: 1000 kPa

Maximum Operating

Temperature: 70°C

Aquatica Warranty

Aquatica NZ Limited offer, from the date of purchase, a 5 year warranty on the tapware, cabinetry and accessories and a lifetime warranty on the Stainless Steel bowl.

Aquatica NZ Limited warrants that only high quality workmanship and materials have been employed in the manufacture of its tapware, accessories and stainless steel products. If any faulty workmanship or materials is proven during the warranty period, Aquatica NZ Limited will at its own cost repair, or at its option replace, the faulty product. The guarantee is non-transferable and proof of purchase is required.

The use of spray or abrasive cleaners of any kind will void the warranty. (Tapware should only be cleaned with a mild detergent and a soft damp cloth).

Failure to use an in-line strainer or filter on lines to tapware incorporating a ceramic cartridge or ceramic disc mechanism may also void the warranty.

Every effort has been made to show the products as they will be sold, however, all models and specifications are subject to change without notice.

Aquatica NZ Limited

9 Saunders Place, Avondale, Auckland.
 Tel: 09-828 2068, Fax: 09-828 2069
 Email: info@aquatica.co.nz
 visit our website: www.aquatica.co.nz